



INSTRUCTION MANUAL

for the Secabo modular cross laser system

Congratulations on purchasing your Secabo modular cross laser system! To ensure that you can start production smoothly with your device, please read these operating instructions carefully. Any form of duplication of these operating instructions requires the written permission of Nepata Vertrieb GmbH. Technical data and product characteristics are subject to change without notice. Nepata Vertrieb GmbH accepts no liability for direct or indirect damages resulting from the use of this product.

Precautions

Please read these instructions and precautions carefully before operating the cross laser system for the first time and keep them in a safe place! Please observe the following operating and safety instructions so that you can enjoy your modular Secabo cross laser system for a long time.

- Do not make any changes to the cross laser system yourself.
- Make sure that the cross laser system does not come into contact with liquids.
- Make sure that the outlet used is grounded. Please note that the cross laser system may only be operated from an outlet that is protected by an RCD circuit breaker.
- Only use the power adapter included in the scope of delivery.
- Disconnect the cross laser system from the power supply when not in use.
- Always operate the cross laser system out of the reach of children and never leave the switched-on cross laser system unattended.
- Make sure that the cross laser system is only used in dry rooms.
- Do not assemble and adjust the cross laser system while the heat press is switched on and while it is hot. CAUTION: Danger of burns!
- Removing the safety-relevant warning signs is not permitted!



Operating and safety instructions for the operation of cross lasers for heat presses (laser class 2)

The cross lasers for heat presses correspond to a class 2 laser (according to DIN EN 60825-1:2014)



The precautionary measures of the accident prevention regulation (BGV B2) must be observed. These include:

- Do not look into the beam or direct reflections, even with optical instruments.
- Clearly mark the laser area with warning signs at all access points.
- The laser beam should be directed well below or above, but not at eye level.

The operator of the laser equipment is responsible for compliance with the protective measures. Among other things, they must ensure that the laser equipment is assigned to a laser class and marked accordingly. The operator is also responsible for compliance with the special safety requirements for the operation of the various laser types.

Further notes

- Solid state laser modules (DPSS) contain high-quality crystals. These are particularly sensitive to shock. Shock loads over 50G lead to a loss of performance or the destruction of the module.
- No liability or warranty is assumed for any changes made to the module, such as changes to the electronics, manipulation of the controllers, housing or the optics (in particular performance enhancement). Manipulation of laser modules may cause the output power and the wavelength to deviate significantly from the guaranteed values. In this case, the specified laser radiation can be exceeded many times over and invisible infrared laser radiation can escape.

Technische Informationen

Laser class:	2
Wavelength:	650 nm
Color of the beam:	red
Radiation characteristics:	cross
Input voltage:	230 V AC
Operating current:	≤ 40 mA
Operating voltage:	3-5 V
Protection against water and dust:	IP54
Performance:	4 mW
Ambient temperature:	-10°C - +50°C

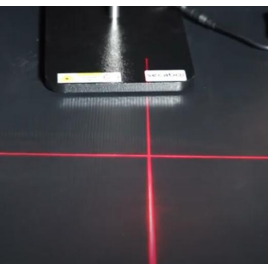
! Failure to comply with these instructions will void the legal warranty !

If you are unable to comply with one or more of the above safety regulations, or if you are not sure if you meet all the points, please contact our technical support mail@secabo.com

Intended use



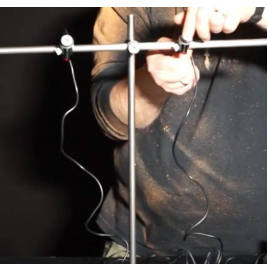
The Secabo cross laser system is used to facilitate and precisely position transfer objects and ensure consistent results in longer runs. You can easily focus the laser beam. After placing the laser in the joint and aligning it with the surface of the textile before turning it on, you can switch it on and position it on the textile first.



The knurled screws on the joints are used to fasten and adjust the lasers, these must not be tightened with tools or other aids, only tighten by hand. The adjustable lens on the head of the laser allows you to focus the beam as you wish, after this process hand tighten the knurled screws on the joint.



The height is also adjusted using this joint. With the single cross laser, this can be done very easily by loosening the knurled screw on the side of the rod until the desired height is reached and then tightening it hand-tight.



With the double cross laser, the height is adjusted via the fixed joint, which serves as an intermediate element between the vertical and horizontal rods. Tighten the knurled screw on the vertical rod only after the desired height has been reached.



This flexible adjustment can also be found on the Secabo Storage Tray. The star grip screw allows you to adjust conveniently and easily, and to swivel and move the storage tray individually in your workspace. Please note that no more than 2 kilograms should be placed on the tray! Hand-tighten the star grip screw on the quick-change system before use.

Scope of delivery

Please check right at the beginning, using the delivery bill, whether you have received all the items listed and ordered by you. If not, please contact your retail partner as soon as possible. Information on the scope of delivery can be found on the following pages, depending on which Secabo cross laser module you have ordered.

Einzelkreuzlaser Tischversion mit 500mm Stange • Single cross laser table version with 500mm rod

Art.Nr.: 109.510.200



Item	Count	Description	Art.Nr.
1 + 3	1	Secabo Crosslaser Basic Unit (Laserunit + Jointunit)	109.510.300
2	1	Secabo 500mm Rod	109.510.305
4	1	Secabo Stand Basic Unit	109.510.301
5	1	1x Screw: HSBH M6x14 Secabo Screws Bag for Transfer Extension Modules	109.510.308
		Secabo Screws Bag for Transfer Extension Modules	

Doppelkreuzlaser Tischversion mit 2 x 500mm Stange • Double cross laser table version with 2 x 500mm rod

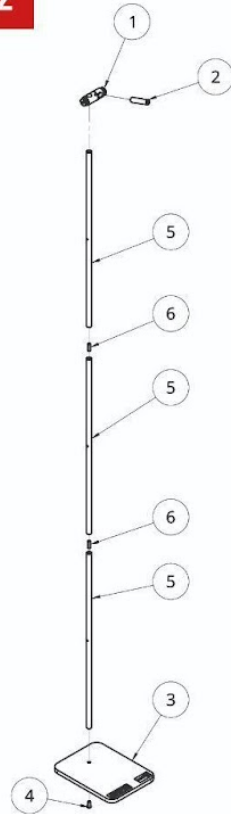
Art.Nr.: 109.510.201



Item	Count	Description	Art.Nr.
1	2	Secabo 500mm Rod	109.510.305
2 + 3	2	Secabo Crosslaser Basic Unit (Laserunit + Jointunit)	109.510.300
4	1	Secabo Stand Basic Unit	109.510.301
5	1	1x Screw: HSBH M6x14 Secabo Screws Bag for Transfer Extension Modules	109.510.308
6	1	Secabo Fixed Joint Unit	109.510.306

Einzelkreuzlaser Standversion mit 3 x 500mm Stange • *Single cross laser table version with 3 x 500mm rod*

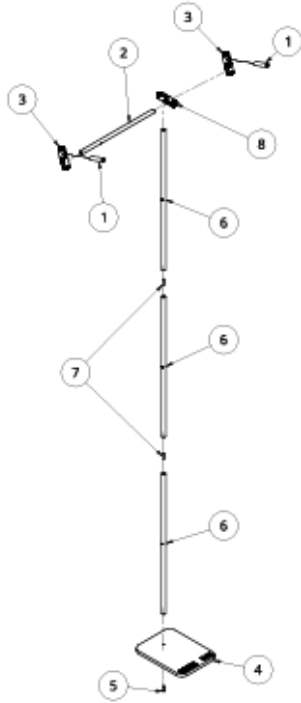
Art.Nr.: 109.510.202



Item	Count	Description	Art.Nr.
1 + 2	1	Secabo Crosslaser Basic Unit (Laserunit + Jointunit)	109.510.300
3	1	Secabo Stand Basic Unit	109.510.301
4	1	1 x Screw: HSBH M6x14 Secabo Screws Bag for Transfer Extension Modules	109.510.308
5	3	Secabo 500mm Rod	109.510.305
6		2 x Threaded Rod M6x20 Secabo Screws Bag for Transfer Extension Modules	109.510.308

Doppelkreuzlaser Standversion mit 4 x 500mm Stange • Double cross laser table version with 4 x 500mm rod

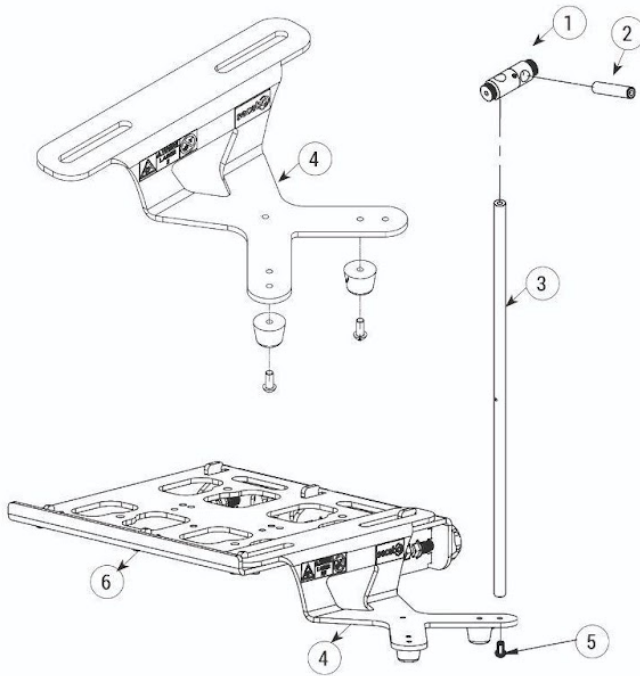
Art.Nr.: 109.510.203



Item	Count	Description	Art.Nr.
1 + 3	2	Secabo Crosslaser Basic Unit (Laserunit + Jointunit)	109.510.300
2	1	Secabo 500mm Rod	109.510.305
4	1	Secabo Stand Basic Unit	109.510.301
5	1	1x Screw: HSBH M6x14 Secabo Screws Bag for Transfer Extension Modules	109.510.308
6	4	Secabo 500mm Rod	109.510.305
7		2 x Threaded Rod M6x20 Secabo Screws Bag for Transfer Extension Modules	109.510.308
8	1	Secabo Fixed Joint Unit	109.510.306

Einzel-Kreuzlaser mit Zubehörhalter für Schnellwechsler • Single cross laser with accessory holder for quick-change system

Art.Nr.: 109.510.204

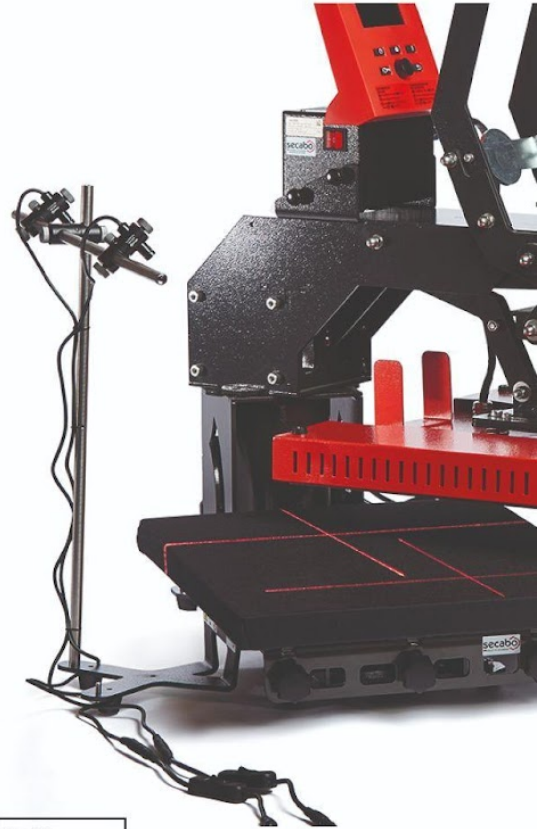
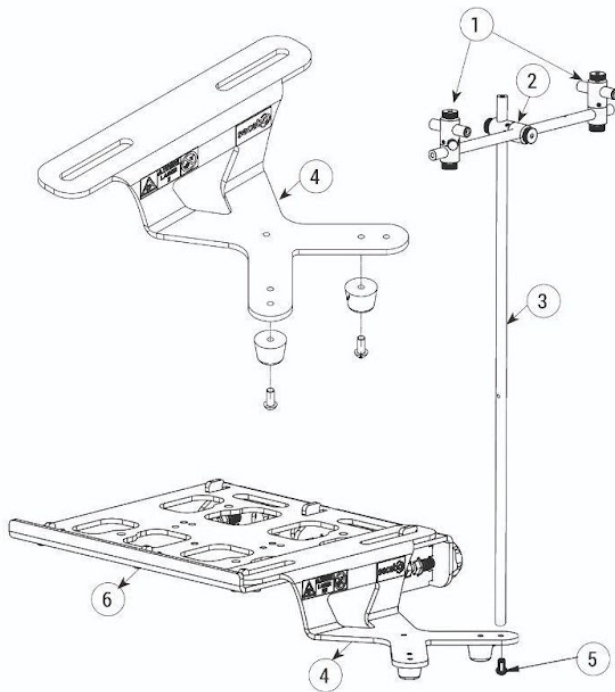


Item	Count	Description	Art.Nr.
1 + 2	1	Secabo Crosslaser Basic Unit (Laserunit + Jointunit)	109.510.300
3	1	Secabo 500mm Rod	109.510.305
4	1	Secabo Accessory Holder	109.510.302
5	1	1x Screw: HSBH M6x14 Secabo Screws Bag for Transfer Extension Modules	109.510.308
6	1	Secabo quick-change system for LITE and SMART series *	109.505.141

* kann nach Pressen Modell variieren, ist nicht im Lieferumfang enthalten! • may vary according to press model, not included in delivery!

Doppel-Kreuzlaser mit Zubehörhalter für Schnellwechsler • Double cross laser with accessory holder for quick-change system

Art.Nr.: 109.510.205

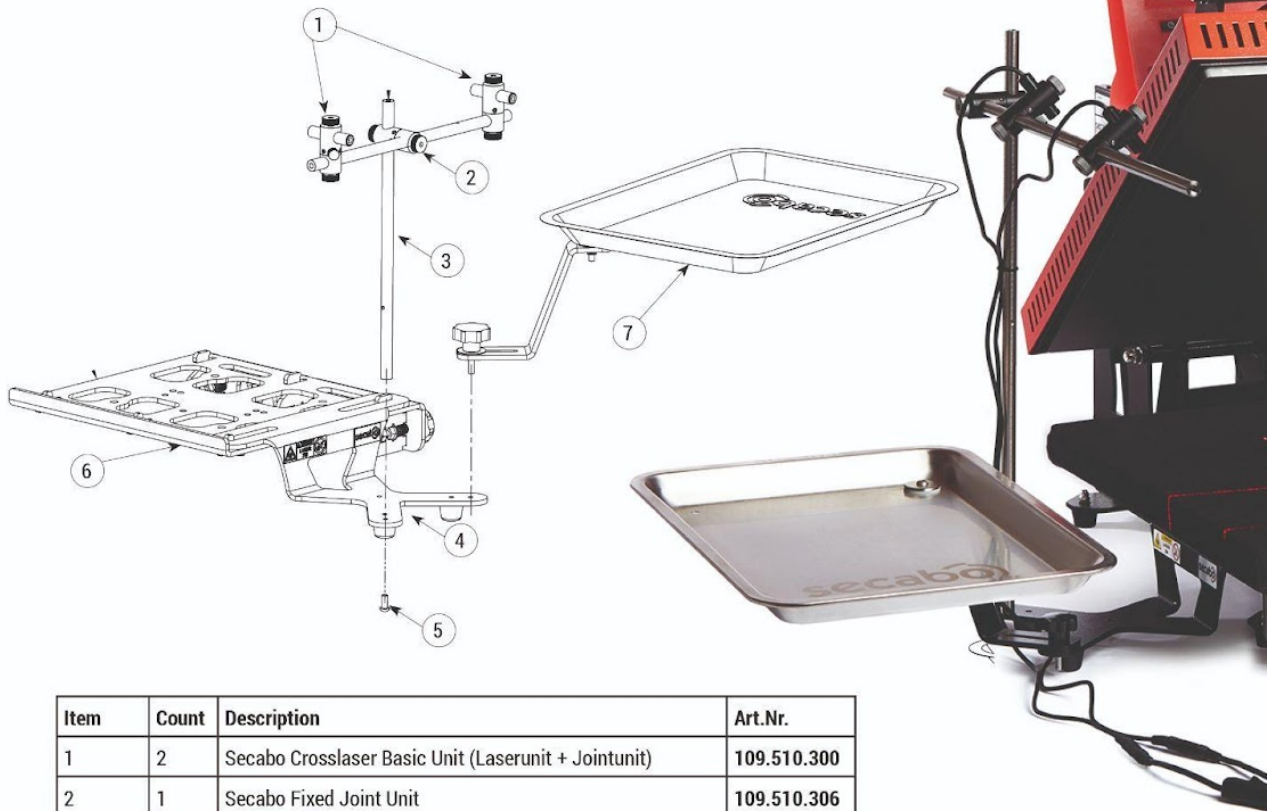


Item	Count	Description	Art.Nr.
1	2	Secabo Crosslaser Basic Unit (Laserunit + Jointunit)	109.510.300
2	1	Secabo Fixed Joint Unit	109.510.306
3	2	Secabo 500mm Rod	109.510.305
4	1	Secabo Accessory Holder	109.510.302
5	1	1x Screw: HSBH M6x14 Secabo Screws Bag for Transfer Extension Modules	109.510.308
6	1	Secabo quick-change system for LITE and SMART series *	109.505.141

* kann nach Pressen Modell variieren, ist nicht im Lieferumfang enthalten! • may vary according to press model, not included in delivery!

Doppel-Kreuzlaser mit Zubehörhalter für Schnellwechsler und Ablagemodul
 Double cross laser with accessory holder for quick-change system and storage tray

Art.Nr.: 109.510.206

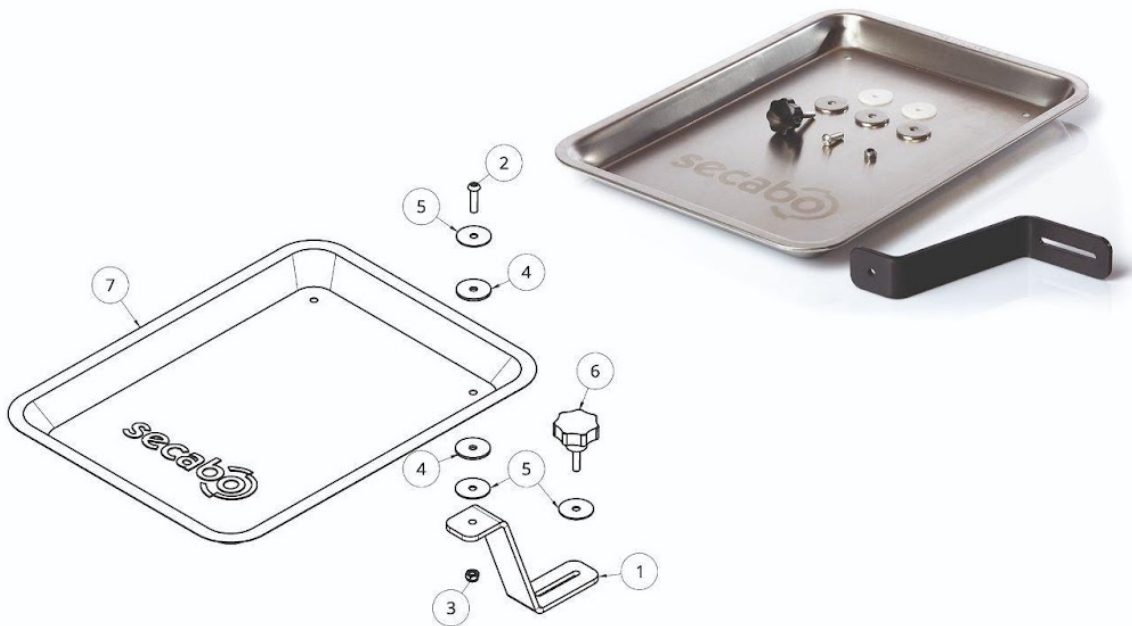


Item	Count	Description	Art.Nr.
1	2	Secabo Crosslaser Basic Unit (Laserunit + Jointunit)	109.510.300
2	1	Secabo Fixed Joint Unit	109.510.306
3	2	Secabo 500mm Rod	109.510.305
4	1	Secabo Accessory Holder	109.510.302
5	1	1x Screw: HSBH M6x14 Secabo Screws Bag for Transfer Extension Modules	109.510.308
6	1	Secabo quick-change system for LITE and SMART series *	109.505.141
7	1	Secabo Storage Tray	109.510.303

* kann nach Pressen Modell variieren, ist nicht im Lieferumfang enthalten! • may vary according to press model, not included in delivery!

Ablagemodul • *storag tray*

Art.Nr.: 109.510.303



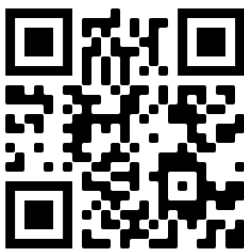
Item	Count	Description	Art.Nr.
1	1	Connecting Element Storage Tray	
2	1	Screw HSBH M6x25	
3	1	Nut HN M6 DIN 985	
4	2	Plastic spacer washer M6 D30mm	
5	3	Fender washer M6 D30mm	
6	1	Star grip screw DIN 6336 40 M6x25	
7	1	Secabo Storage Tray	109.510.303

Doppelkreuzlaser Tischversion mit 2 x 500mm Stange mit Zubehörhalter für Schnellwechsler und Ablagemodul
 Double cross laser table version with 2 x 500mm rod with accessory holder for quick-change system and storage tray




Item	Count	Description	Art.Nr.
1	2	Secabo 500mm Rod	109.510.305
2	2	Secabo Crosslaser Basic Unit (Laserunit + Jointunit)	109.510.300
3	1	Secabo Stand Basic Unit	109.510.301
4	1	1x Screw: HSBH M6x14 Secabo Screws Bag for Transfer Extension Modules	109.510.308
5	1	Secabo Fixed Joint Unit	109.510.306
6	1	Secabo quick-change system for LITE and SMART series *	109.505.141
7	1	Secabo Storage Tray	109.510.303
8	1	Secabo Accessory Holder	109.510.302
9	1	Secabo TC7 SMART modulare Transferpresse 40cm x 50cm mit Bluetooth	109.007.15

* kann nach Pressen Modell variieren, ist nicht im Lieferumfang enthalten! • may vary according to press model, not included in delivery!



Here we have visualized the entire handling from unpacking to assembly for you as a video. If you have any questions, please do not hesitate to contact us by e-mail at mail@secabo.com.

<p>Einzelteile</p>	
<p>Secabo Crosslaser Basic Unit With the flexible cross lasers from Secabo, textiles and other objects as well as transfer elements such as flex foils, sublimation papers, etc. can be positioned easily and reproducibly.</p>	
<p>Secabo Stand Basic Unit Stand plate for the fastening rod</p>	
<p>Secabo Accessory Holder Accessory holder for articulated rods or Abaleg module holder</p>	
<p>Secabo Storage Tray You can easily attach this practical storage plate to your heat press. Small tools such as cutters or scissors can be stored here, as can your transfers. This way, the most important things for your workflow are always at hand and sorted.</p>	
<p>Secabo 300mm Rod Mounting bar 300 mm long</p>	
<p>Secabo 500mm Rod Mounting bar 500 mm long</p>	
<p>Secabo Fixed Joint Unit Joint unit for fixing the attachment bar This allows the fixing rod to be connected and fixed transversely in order to achieve optimum adjustment.</p>	
<p>Secabo Joint Unit Rotatable joint unit - With this, the Secabo Crosslaser Basic Unit can be easily attached to the mounting bar and adjusted depending on the desired angle simply by turning it.</p>	
<p>Secabo Screws Bag for Transfer Extension Modules Screw set for the mounting rods of the Secabo Crosslaser Basic Unit</p>	

Konformitätserklärung Statement of Conformity



We herewith declare under sole responsibility that the Secabo cross laser meet the provisions of the following EC Directives and Harmonized Standards:

EG-Richtlinien / EC Directives:

2014/35/EG Niederspannungsrichtlinie
2014/35/EC Low Voltage Directive
2014/30/EU Elektromagnetische Verträglichkeit
2014/30/EU Electromagnetic Compatibility
2006/42/EG Maschinenrichtlinie
2006/42/EC Directive on machinery

Norm / Standard:

EN 60825-1:2014
EN 60204-1 VDE 0113-1:2019-06
EN IEC 55015:2019
EN IEC 61000-3-2:2019
EN 61000-3-3:2013 + A1:2019
EN 61547:2009

Technische Dokumente bei / Technical documents at:

Nepata Vertrieb GmbH, Hochstatt 6-8, 85283 Wolnzach, Germany

Dipl. Ing. Fabian Franke

Dipl. Ing.(FH) Bernhard Schmidt